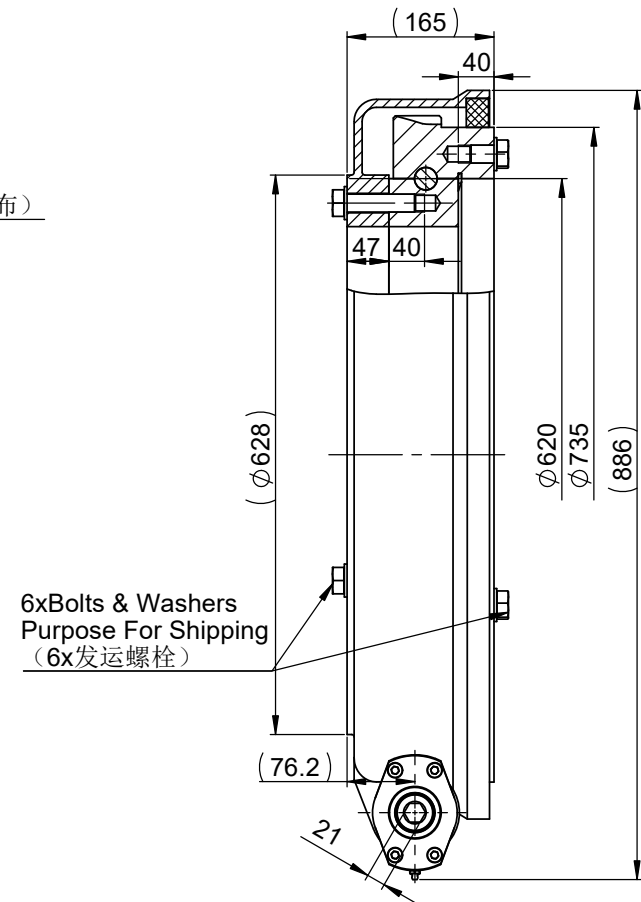
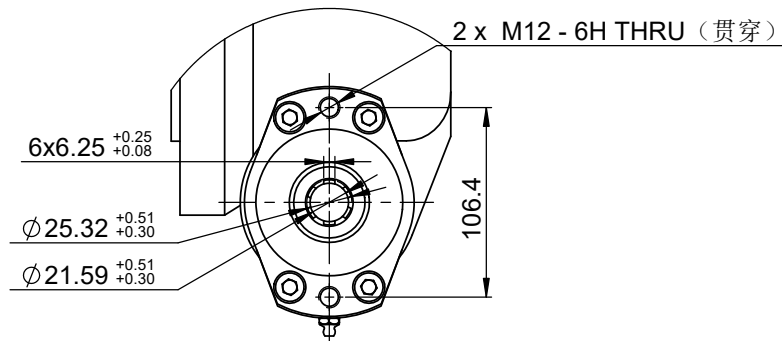


VIEW P



Note:

1. All exposed surfaces of the slew bearing will not be painted;  
(回转支承的所有外露面均不油漆)
2. Have Grease KG-2-B-2M46 applied around the entire diameter of the slew gear.

On the dimensions with parenthesis:


- 1) These are for reference only.
- 2) This is a preliminary dimension and may vary in the actual product.
- 3) If this dimension is important to the application, please communicate this back to KMI.

DESIGNED BY	JXY	2020/12/23	<b>KMI GROUP</b> www.kinematicsmfg.com			
CHECKED BY	C F	2020/12/23				
APPROVED BY	WMS	2020/12/23				
ALL PROPRIETARY RIGHTS IN THE SUBJECT MATTER HEREOF ARE RESERVED, AND NO PERMISSION IS GRANTED TO REPRODUCE THIS PRINT IN WHOLE OR IN PART, OR TO DISCLOSE ANY OF THE INFORMATION TO OTHERS.			WEIGHT	SCALE	<b>SLEW DRIVE</b>	
			252.372Kg	1:6		
SYMBOL ISO	SIZE	A3	SHEET	1/3	<b>KE25B-150MHA-BR-STD</b>	REV
			THE TOLERANCE NOT MENTIONED IS REFERRED TO ISO2768-VL CASTING TOLERANCE ISO 8062-CT10			A

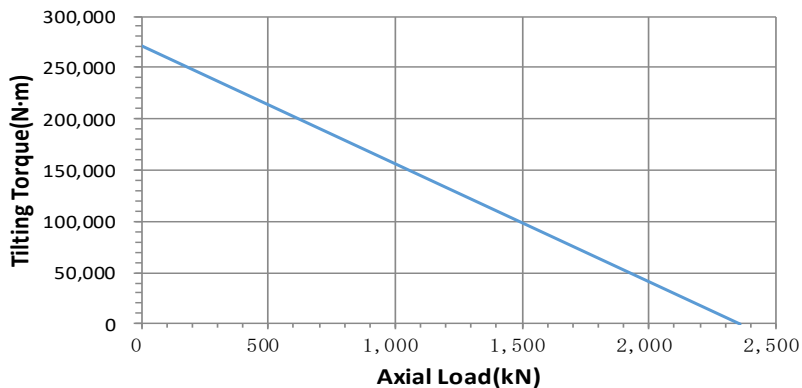
# SLEWING DRIVE PERFORMANCE PARAMETERS

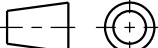
Model Code : -----

Slewing Drive Working Parameters/回转装置工作性能		Motor Parameters/电机参数	
Slewing Drive Ratio/减速比	150:1	Type Code/代号	
Normal Output Torque/额定扭矩	24,011 N.m	Rated Speed/额定速度	rpm
Max. Output Torque/最大扭矩	42,995 N.m	Rated Torque/额定扭矩	N.m
Output Rated Speed /输出速度	0.5 rpm	Peak Torque/堵转扭矩	N.m
Efficiency/效率	43%	Rated Voltage/电压	VAC
Working Temperature Range/工作温度	-20℃ ~ +80℃	Rated Current/额定电流	A
Ingress Protection (IP)/防护等级	IP55	IP/防护等级	

Slewing Drive Capability					3D View	
Torsion Stiffness/扭转刚度	8,400	Nm/mRad	Bending Stiffness/弯曲刚度	82,000	Nm/mRad	
Normal Output Torque/额定扭矩	24,011	N·m	17,711	ft·lb		
Max. Output Torque/最大扭矩	42,995	N·m	31,713	ft·lb		
Max. Output Torque/最大承载力矩	89,100	N·m	65,720	ft·lb		
Tilting Torque/倾覆力矩	271,164	N·m	200,011	ft·lb		
Static Radial Rating/静态径向力	944.00	kN	212,211	lb		
Static Axial Rating/静态轴向力	2,360.00	kN	530,528	lb		
Dynamic Radial Rating/动态径向力	472.00	kN	106,106	lb		
Dynamic Axial Rating/动态轴向力	590.00	kN	132,632	lb		

Tilting Torque VS Axial Load



DESIGNED BY	JXY	2020/12/23	<b>KMI GROUP</b> <a href="http://www.kinematicsmfg.com">www.kinematicsmfg.com</a>		
CHECKED BY	C F	2020/12/23			
APPROVED BY	WMS	2020/12/23			
<small>ALL PROPRIETARY RIGHTS IN THE SUBJECT MATTER HEREOF ARE RESERVED, AND NO PERMISSION IS GRANTED TO REPRODUCE THIS PRINT IN WHOLE OR IN PART, OR TO DISCLOSE ANY OF THE INFORMATION TO OTHERS.</small>		WEIGHT	SCALE	<b>SLEW DRIVE</b>	
		252.372Kg	1:1		
SYMBOL	SIZE	A3	SHEET	3/3	<b>KE25B-150MHA-BR-STD</b>
ISO			<small>THE TOLERANCE NOT MENTIONED IS REFERRED TO ISO2768-VL,CASTING TOLERANCE ISO 8062-CT10</small>		
					REV
					A